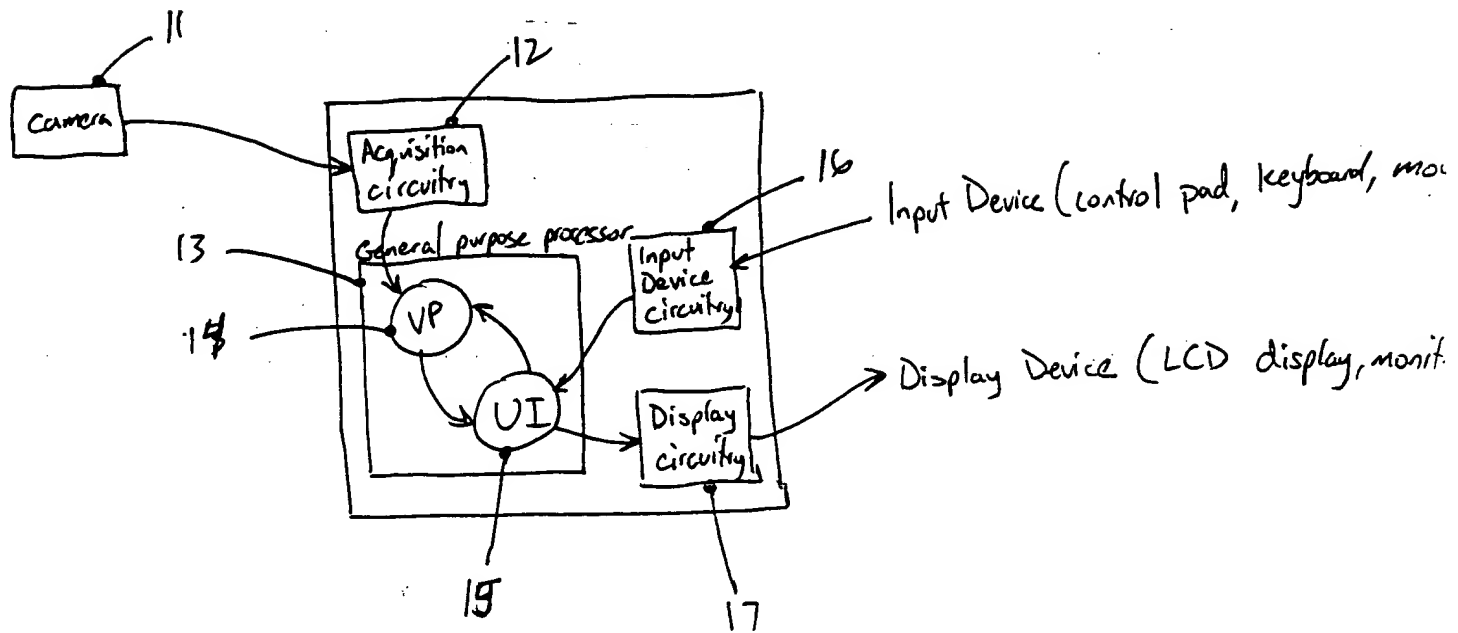


FIG 1

single computer vision system

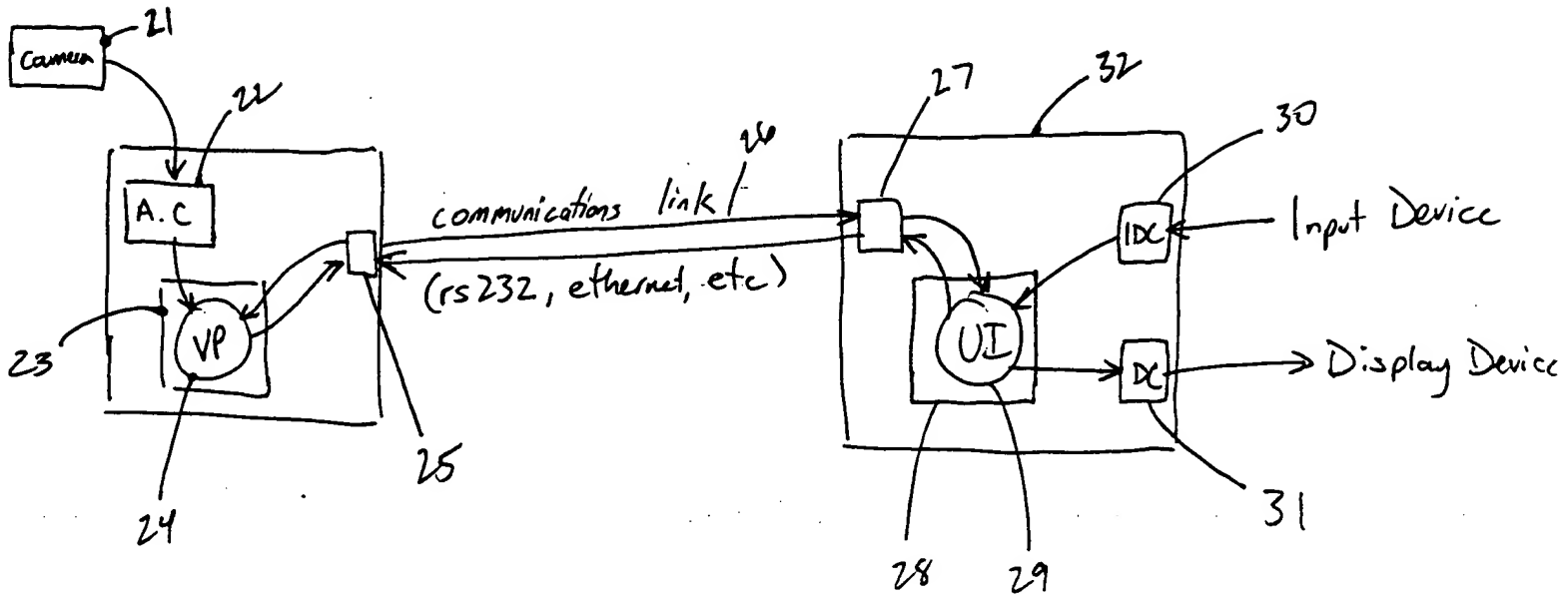


PRIOR ART

09873163 050201

FIG 2

Computer vision system



09873163.050201

PRIOR ART

FIG 3 UI connecting to many VPs via a network

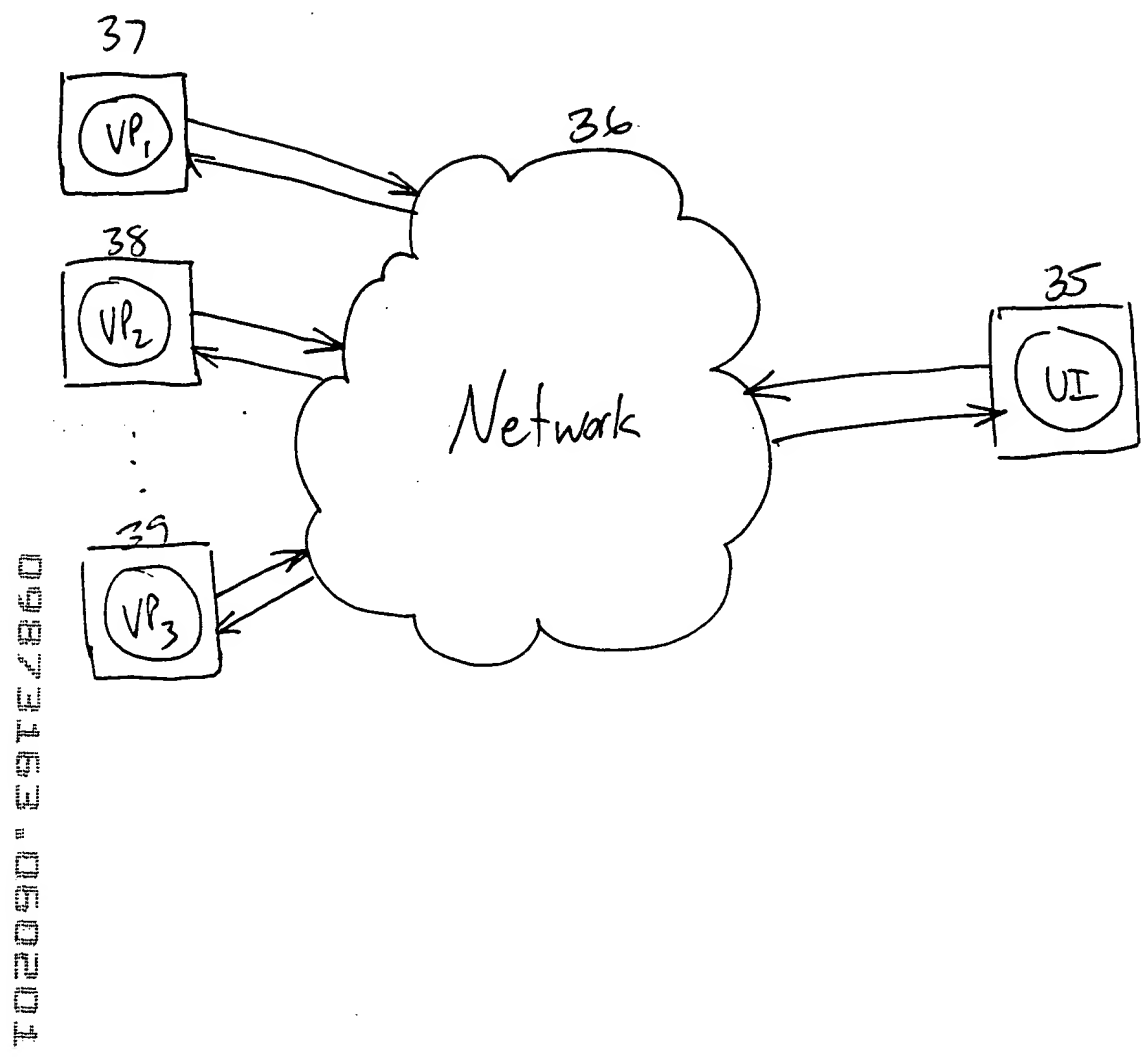
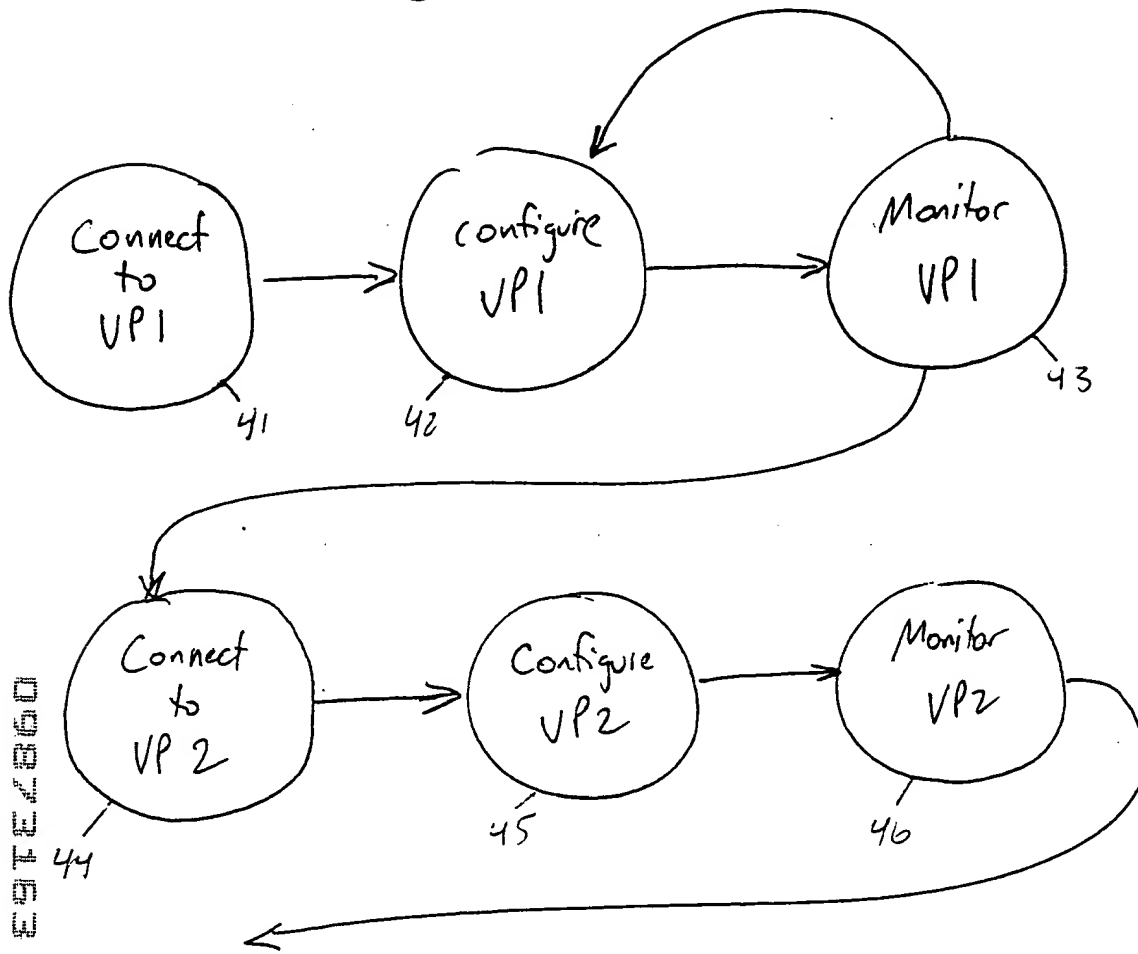


FIG 4

Connection, configuration, and monitoring by a developer





0073163 050201

PRIOR ART

51

A3= ListBox("name0","name1","name2")

	A	B	C	D	E	F	G	H	I
0	 Image		52						
1									
2	<input type="checkbox"/> select		53						
3	 name0								
4	name1								
5	name2								
6									
7									
8									
9									
10									
11									
12									
13									
14									
15									
16									
17									
18									
19									

is3k000018 Local

Offline

0987453 060201

FIG 5

controls.bmp

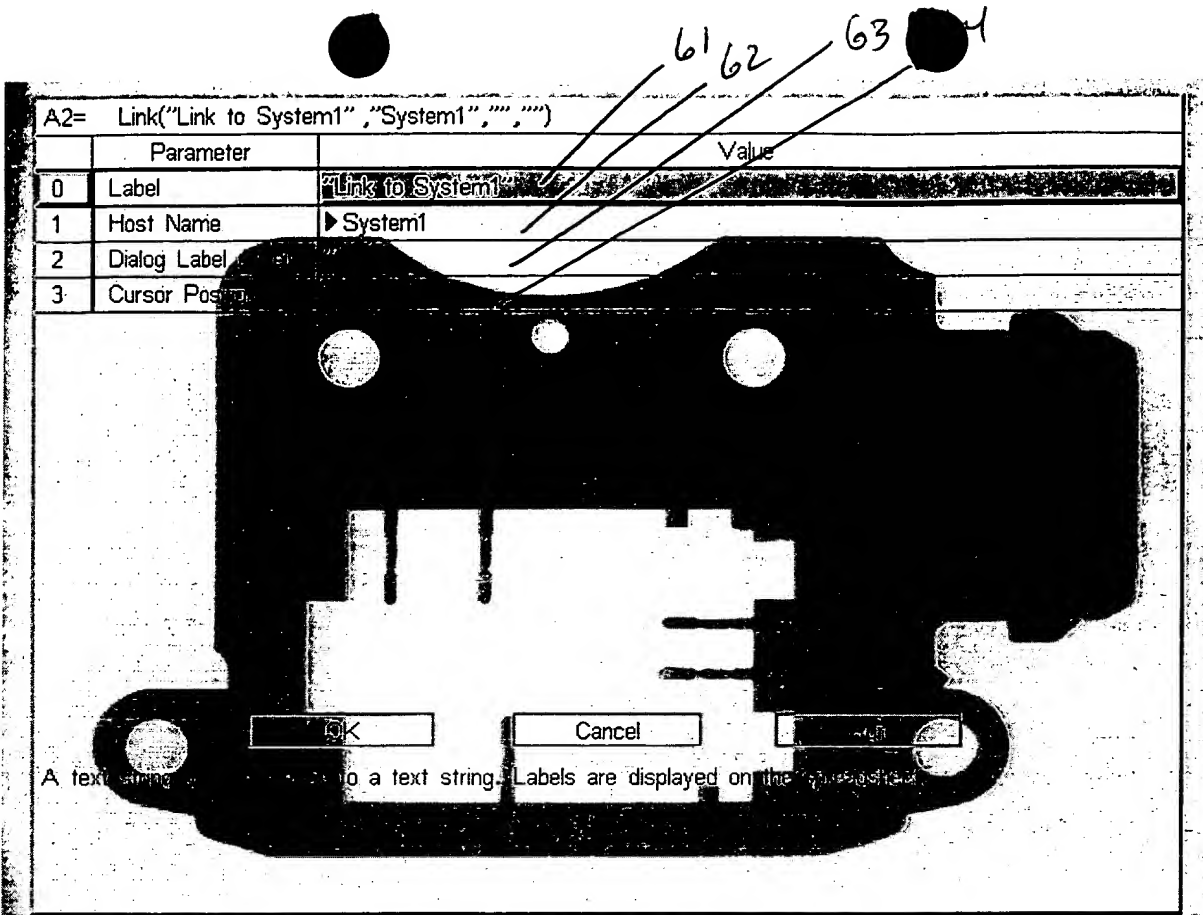


FIG 6

09873163.060201

link1.bmp

71

A2= Link("Link to System1", "System1", "", "")

	A	B	C	D	E	F	G	H	I
0	Image								
1									
2	Link to System1								
3									
4									
5									
6									
7									
8									
9									
10									
11									
12									
13									
14									
15									
16									
17									
18									
19									

GO-TITANS Local Offline

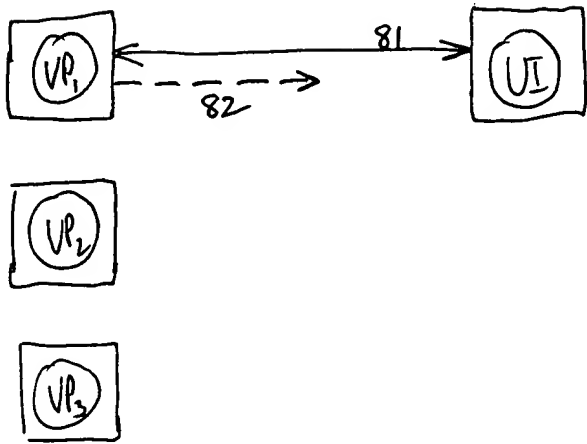
09873153.060201

FIG 7

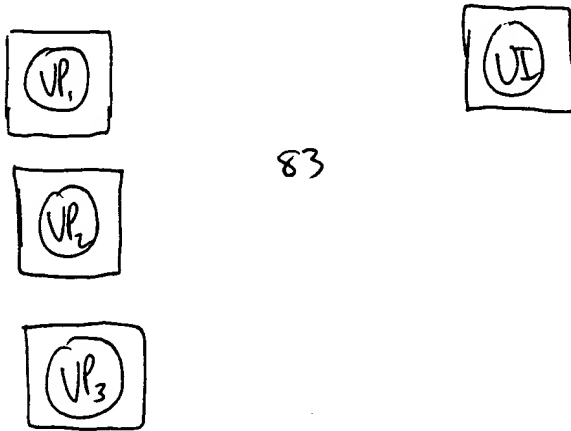
link2.bmp

FIG 8

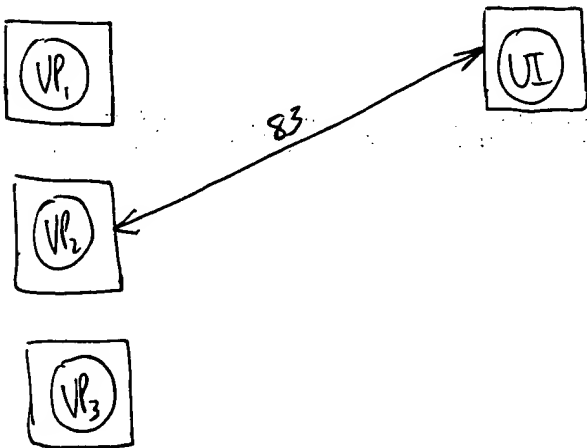
a)



b) FORWARD ESTIMATION



c)



09873163.060201

```
AcquireImage(...)  
if (ReadBarcode fails)  
Link ("FailureSystem")  
else  
  ...  
  <additional VP functions>  
  ...
```

FIG 9